

4K
ULTRA HD



MONTAVUE
GO



FEATURES



Infrared Night Vision
Up to 100ft



Starlight Technology
Low light image sensor



Intelligent Video Surveillance
Tripwire, Intrusion, Motion



High Efficiency Video Coding
50% Better Data Compression

4K HD Active Deterrent Camera with Starlight Technology

Featuring 4 times the resolution of 1080 cameras, two-way audio, starlight technology and an Active Deterrent siren and strobing light, this camera redefines security. And if that wasn't enough this camera also supports IVS, a unique function that allows for easy perimeter protection via tripwires you draw in the camera software. But we took it one step further implementing AI with deep learning algorithms to detect humans and vehicles, reducing false alerts helping you focus on what's important. Connect your camera to one of our 4K Network Video Recorders and get a state of the art security experience.

Indoor/Outdoor

- IP67 rated for use outdoors or indoors
- Rugged aluminum metal housing
- Operates in temperatures ranges of -40°F to +140°F

Artificial Intelligence - Alarm Filtering

- Reduce false alarms with Smart Motion Detection
- Filter objects by Human, Vehicle or both
- Get push notifications on your smart phone.

Crystal Clear Video

- 4x the resolution of 1080p gives you clear crisp video
- Capture more with a 108° Field of View (horizontal)
- Low light image sensor allows for color images in low light conditions.

High Efficiency Encoding -HEVC H.265

- Better data compression at the same level of quality
- Smaller files means you can store more footage
- Improves remote viewing by reducing data rates

Product Specifications

Camera

Image Sensor	1/2.8"8 Megapixel progressive CMOS
Max. Resolution	3840 (H) × 2160 (V)
ROM	128 MB
RAM	512 MB
Scanning System	Progressive
Shutter Speed	Auto/Manual 1/3 s–1/100000 s
Min Illumination	0.007 Lux @ F1.4
S/N Ratio	> 56 dB
Infrared Distance	30 m (98.4 ft)
Infrared Control	Auto/Manual
IR LED's	1 (IR LED)

Lens

Lens Type	Fixed lens				
Focal length	2.8 mm				
Max Aperture	F 1.4				
Field of View	Horizontal 107° × Vertical 58° × Diagonal 127°				
Close Focus Distance	1.5 m (4.9 ft)				
Iris Type	Fixed				
Dori Distance	Lens	Detect	Observe	Recognize	Identify
	2.8 mm	85.5 m (280.5 ft)	34.2 m (112.2 ft)	17.1 m (56.1 ft)	8.6 m (28.2 ft)

IVS Features

Rules	Tripwire, Intrusion (human & vehicle)
Smart Search	Integrates with NVR to allow searching for IVS events. Displays snapshots of event and playback

Video

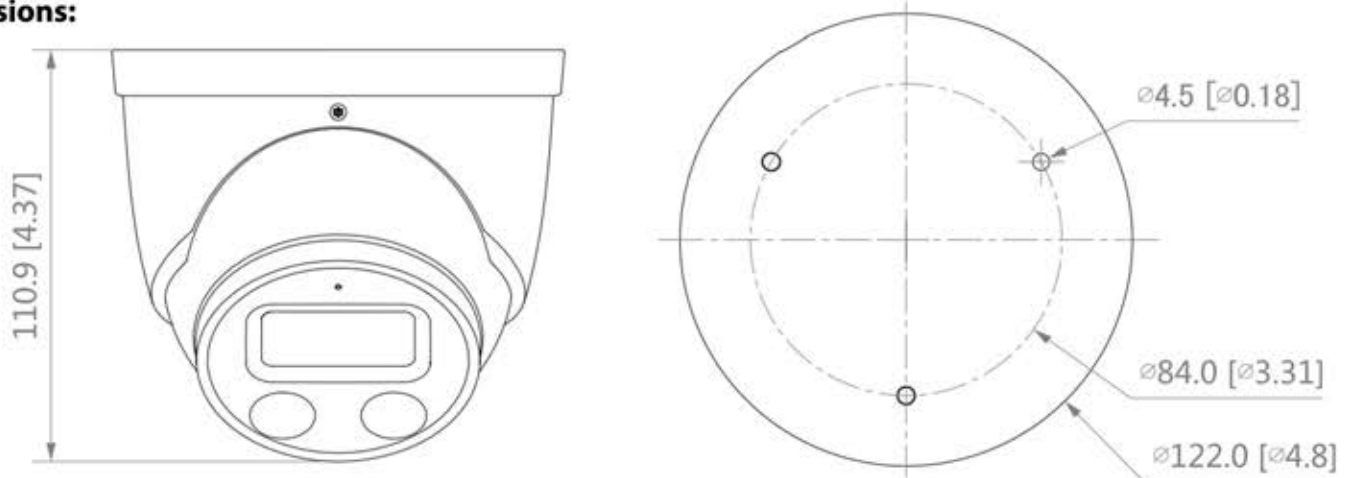
Video Compression	H.265; H.264; H.264H; H.264B; MJPEG (only supported by sub stream)
Smart Codec	Smart H.265+ / Smart H.264+
Video Frame Rate	Main stream (2592 × 1944@1–20 fps) (2688 × 1520@1–25/30 fps AI function disabled) sub stream (704 × 576@1–25 fps/704 × 480@1–30 fps)
Stream Capability	3 streams

Resolution	8M (3840×2160); 6M (3072×2048); 5M (3072×1728/2592×1944); 4M (2688×1520); 3M (2048×1536/2304×1296); 1080p (1920×1080); 1.3M (1280×960); 720p (1280×720); D1 (704×576/704×480); VGA (640×480); CIF (352×288/352×240)
Bit Rate Control	CBR/VBR
Video Bit Rate	H.264: 32 Kbps–8192 Kbps H.265: 12 Kbps–8192 Kbps
Day/Night	Auto(ICR)/Color/B/W
BLC	Yes
HLC	Yes
WDR	120 db
White Balance	Auto/natural/street lamp/outdoor/manual/regional
Gain Control	Auto/ Manual
Noise Reduction	3D NR
Motion Detection	OFF/ON (4 areas, rectangular)
Region of Interest	Yes (4 areas)
Image Rotation	0°/90°/180°/270° (Support 90°/270° with 1920 × 1080)
Mirror	Yes
Privacy masking	Yes (4 areas)
Smart Illumination	Yes
Audio	
Built-in Mic	Yes
Audio Compression	G.711a; G.711Mu; G726
Alarm	
Alarm Event	No SD card; SD card full; SD card error; less service time of SD card (smart card supports); network disconnection; IP conflict; illegal access; motion detection; video tampering; intrusion; tripwire; scene changing; audio detection; voltage detection; SMD; safety exception
Network	
Network	RJ-45 (10/100 Base-T)
Interoperability	ONVIF(Profile S/G/T); CGI; P2P; Milestone; Genetec
Protocol	IPv4; IPv6; HTTP; TCP; UDP; ARP; RTP; RTSP; RTCP; RTMP; SMTP; FTP; SFTP; DHCP; DNS; DDNS; QoS; UPnP; NTP; Multicast; ICMP; IGMP; NFS; SAMBA; PPPoE; SNMP
Scene Self-Adaption	Yes
Storage	FTP; SFTP; Micro SD Card (max. 256 G); NAS
Browser	IE, IE8, IE9, IE11, Chrome, Firefox
Software	MontavueGO PC & Mac
Mobile Apps	MontavueGO Android & Iphone





Operating Conditions

Operating Range: -40°C to +60°C (-40°F to +140°F)/less than 95%
 Protection Rating: IP67
 Power Supply: 12V DC/PoE (802.3af)
 Power Consumption: < 8.1W

Dimensions:



Optional Accessories (not included)

Junction Box	Example	Wall Mount	Example
MAM137	MAM137	MAM203W	MAM203W
			

What's in the box



Disclaimers:

1. Infrared distance is based on ideal conditions in average outdoor nighttime ambient lighting. Actual distance may vary depending on installation location and lighting conditions
2. The accuracy of human and vehicle detection will vary depending on multiple factors, such as the objects distance from the camera, size, height and mounting angle of the camera. Night vision will also affect the accuracy of detection.
3. Not intended for submersion in water. Installation in a sheltered area is recommended.
4. Camera PoE connection is not waterproof. Extra precautions should be taken during installation to ensure connection is not exposed to moisture. Camera failure due to corrosion or short circuit from moisture is not covered by warranty. Montavue LLC assumes no liability for damage resulting from improper use or installation of its products.
5. Because we are continuously improving our products, Montavue LLC reserves the right to modify product design, specifications & prices without notice and without incurring any obligation. E&OE